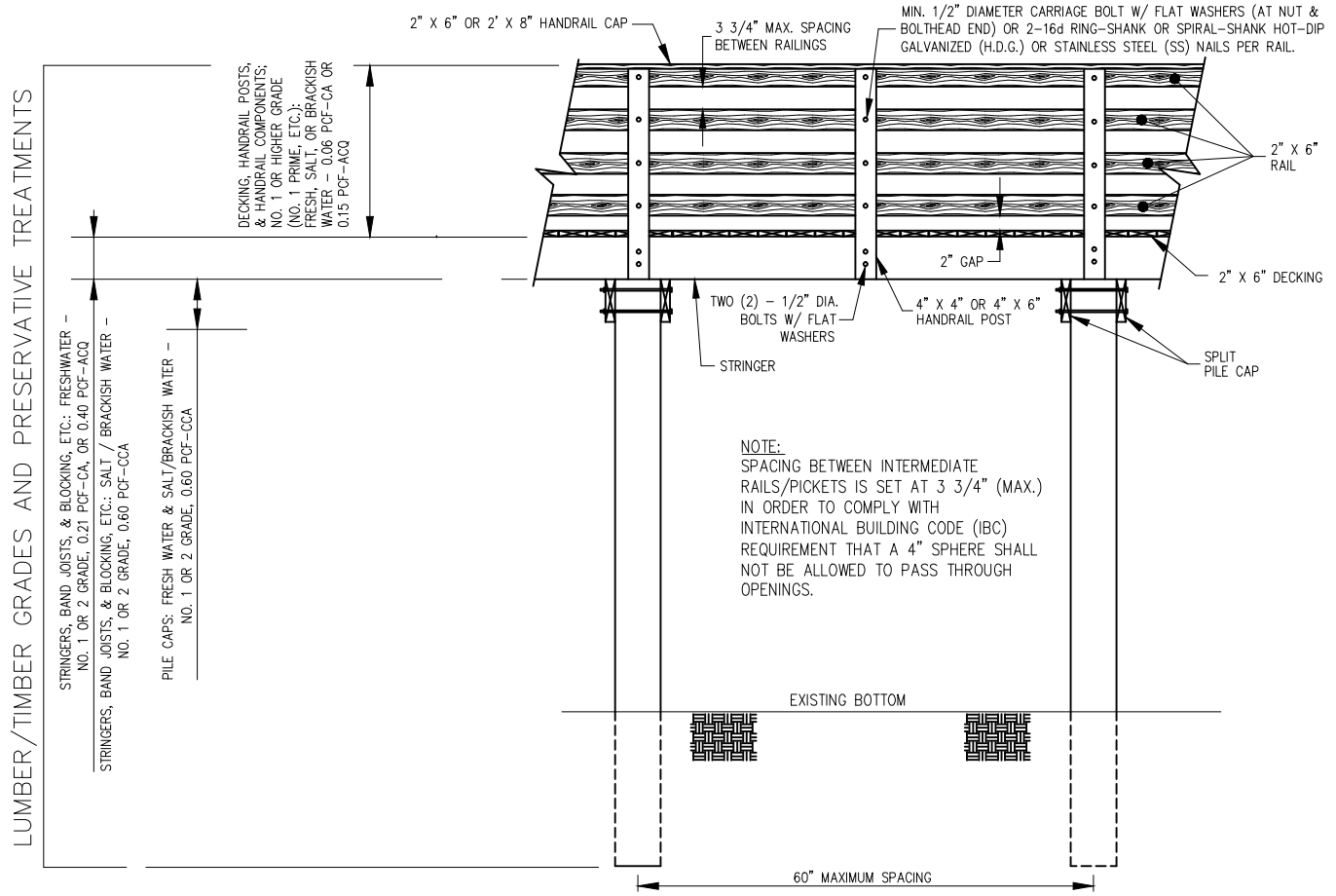
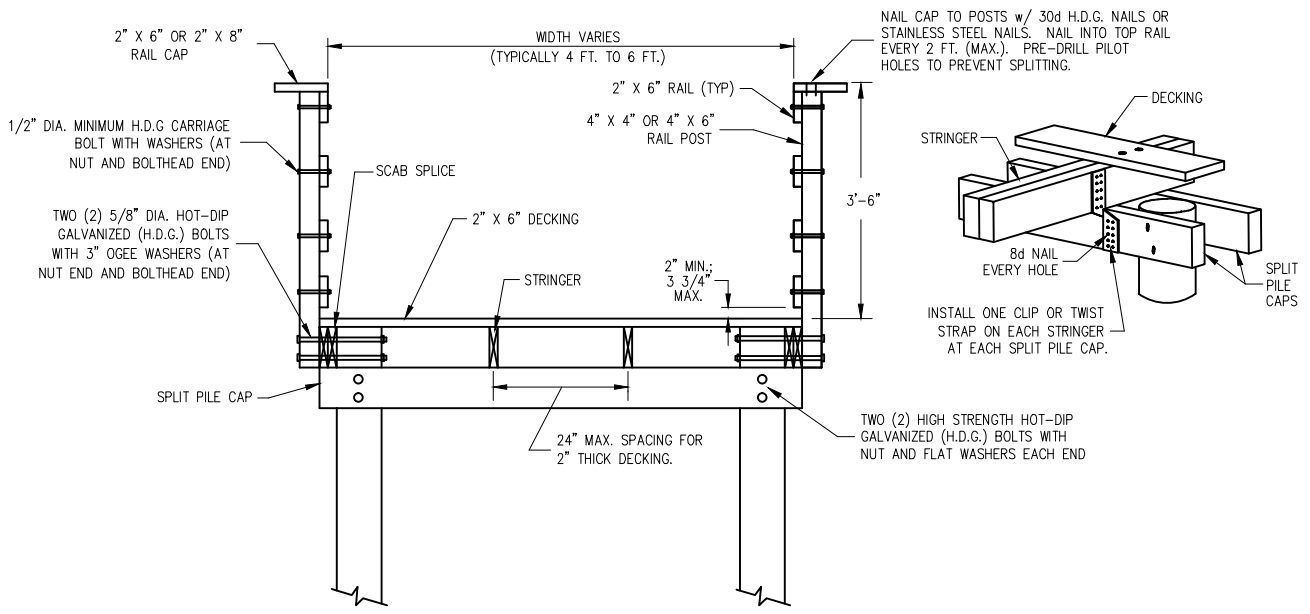


# TYPICAL RAMP ELEVATION



# TYPICAL SECTION THROUGH RAMP



SHEET 1 OF 3

CONSTRUCTION DETAILS

NTS

TOWN OF EDISTO BEACH  
SOUTH CAROLINA

PROPOSED: STANDARD BEACH ACCESS RAMP DETAILS

AT:

IN:

COUNTY OF: COLLETON  
SOUTH CAROLINA

DATE: 3.24.2016

TOWN OF EDISTO: BEACH ACCESS CONSTRUCTION STANDARDS

SURVEY DATUM: NONE