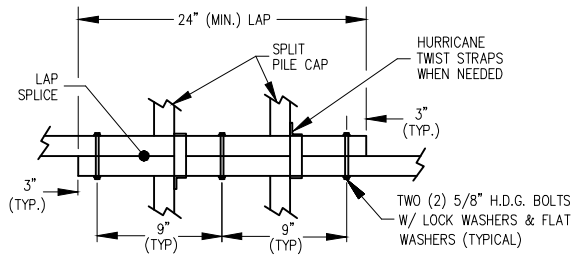
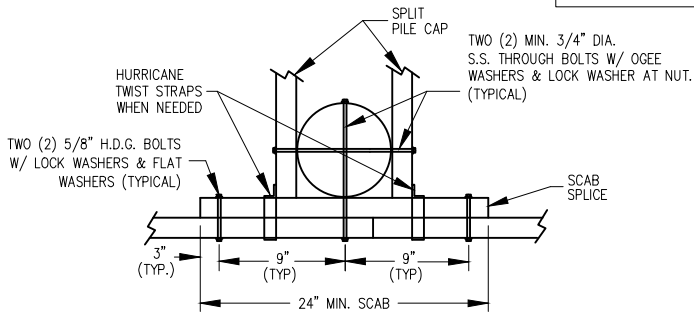


# RAMP DETAILS

## STRINGER SPLICES



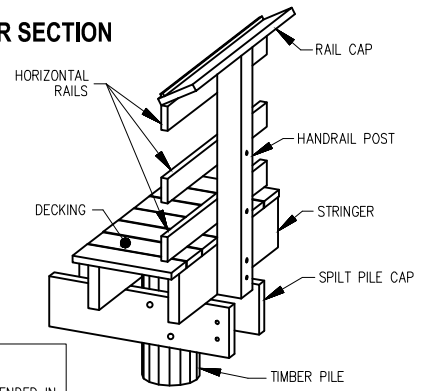
**LAP SPLICE DETAIL (PLAN VIEW)**



**SCAB SPLICE DETAIL (PLAN VIEW)**

**NOTE:**  
STAINLESS STEEL (S.S.) FASTENERS AND HURRICANE STRAPS ARE HIGHLY RECOMMENDED IN SALT WATER / BRACKISH WATER ENVIRONMENTS.

## 3-D PIER SECTION



TOWN OF EDISTO: BEACH ACCESS CONSTRUCTION STANDARDS

SURVEY DATUM: NONE

**SHEET 3 OF 3**

CONSTRUCTION DETAILS

NTS

TOWN OF EDISTO BEACH  
SOUTH CAROLINA

PROPOSED: STANDARD BEACH ACCESS RAMP DETAILS

AT:

IN:

COUNTY OF: COLLETON  
SOUTH CAROLINA

DATE: 3.24.2016